



ELKO

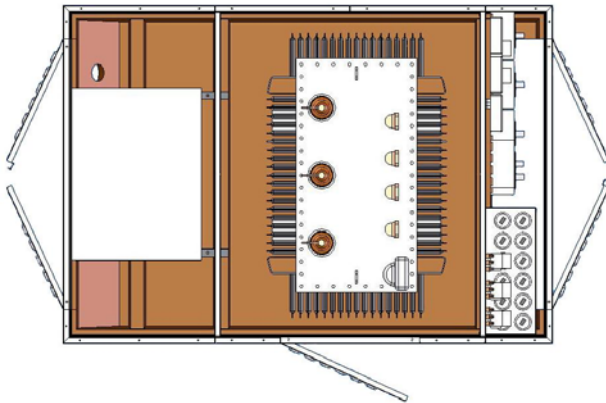
COMPACT TYPE TRANSFORMER SUBSTATIONS WITH SHEET STEEL ENCLOSURE (ECSS)



ITS READY TO USE

COMPACT TYPE TRANSFORMER SUBSTATIONS WITH SHEET STEEL ENCLOSURE (ECSS)

- Compact design,
- Prefabricated, (Fully assembled and tested)
- Installation, connection and commissioning in a short time,
- Pre-galvanized sheet steel enclosure, painted with polyester powder coating,



Compact enclosure consist of;

- MV Switchgear Department,
- LV Panel Department,
- MV/LV Distribution Transformer Department



- No welding,
- Outside operated,
- SF 6 gas insulated MV switchgear equipped,
- Detachable roof,
- Their location can be changed at any time in a short time,
- Enclosure can be colour-matched to the local surroundings



MV Switchgear Department



Pre-fabricated Concrete base (foundation)

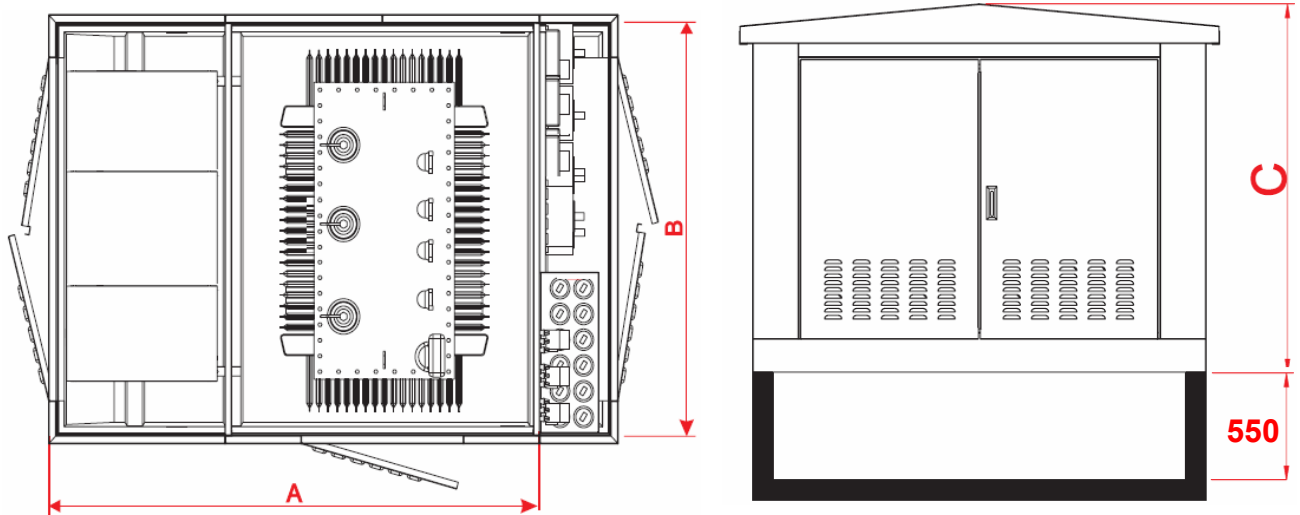


LV Panel Department



Easy and safety lifted and transported,

COMPACT TYPE TRANSFORMER SUBSTATIONS WITH SHEET STEEL ENCLOSURE (ECSS)



Technical Characteristics

Rated Voltage (kV)	12; 24	
Maximum Rated Power (kVA)	630	
Enclosure Class (acc.to IEC 61330)	10;20	
Protection Degree (IEC 60529)	IP 43	
Applied standart	IEC 61330	
Dimensions (mm)	Width (B)	2000
	Lenght (A)	2900
	Height (C)	1600